

# Installation Instructions for 57EDF Series Heavy Duty Double Flash Strobe Lights

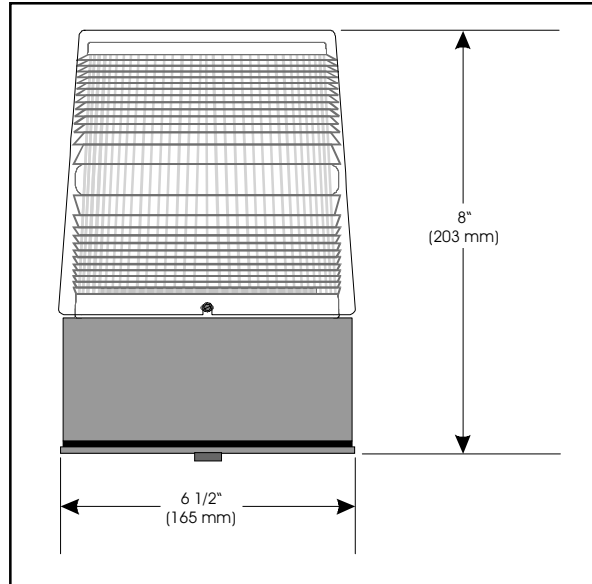


Figure 1. Dimensions

## Description

The 57EDF series signaling appliances are heavy duty, double flash strobe lights intended for use in general signaling (non-fire alarm) applications. The strobe lights are UL listed and CSA Certified, have a NEMA 4X enclosure and are available in 24V DC, 120V AC and 240V AC. See Table 1 for specifications.

The 23 joule strobe is rated at 2.3 million peak candela.

## Installation

**! WARNING**  
To prevent electrical shock, do not connect power until installation has been completed and unit is tightly assembled and secured.

Install this unit in accordance with the applicable requirements in the latest edition of the National Electrical Code. See the unit's label and Table 1 for specifications.

*NOTE: For indoor applications, the strobe light can be mounted vertically either facing up or facing down. For outdoor applications, the unit must be mounted vertically with the lens facing up.*

1. Pull appropriate power source wiring through 3/4" (19 mm) NPT conduit. Install the unit on the conduit.
2. Connect red positive (+) lead to positive power source wire and black negative (-) lead to negative power source wire. Polarity must be observed on 24V DC unit. For AC units, connect green ground wire to earth ground.

3. Apply power to the unit and ensure proper operation.

## Maintenance

### Strobe Tube Replacement

**! WARNING**  
To prevent electrical shock, disconnect from the supply circuit and allow five (5) minutes for stored energy to dissipate before disassembling the unit.

Disassemble the unit as follows:

1. Remove the four (4) screws from the lens assembly and remove the globe and lens as shown in Figure 2.

**! CAUTION**  
To prevent damage to the strobe tube, hold the tube only by its base; do not handle the tube.

2. Pry the strobe tube straight up and out of the strobe tube socket.
3. Refer to Table 1 for the correct replacement catalog number and replace the strobe tube.
4. Assemble the unit:
  - a. Ensure that the o-ring, part number 044001, is in place around the base of the unit and replace the lens and dome (Figure 2).

b. Install four (4) screws removed in step 1.

5. After the unit is assembled, apply power and ensure the unit functions properly.

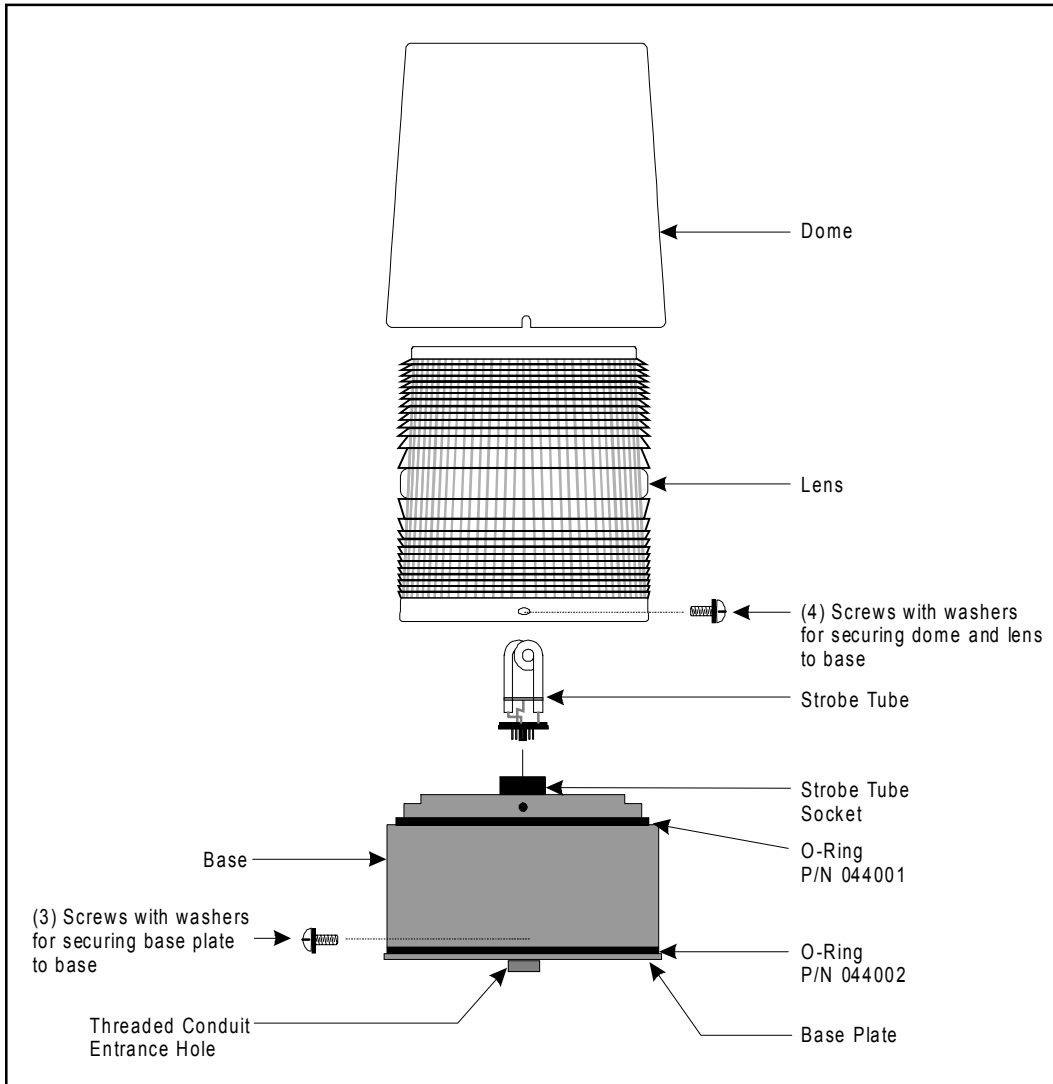


Figure 2. Replacing the Strobe Tube

Table 1. Specifications

Cat. No.	Ratings	Lens Color	Strobe Tube Life*	Replacement Parts		
				Strobe Tube	Lens	Dome
57EDFA-G1	24V DC 2.2A	Amber	3,000 Hours	92-ST	57E-LA	57E-DC
57EDFB-G1		Blue			57E-LB	
57EDFC-G1		Clear			57E-LC	
57EDFG-G1		Green			57E-LG	
57EDFR-G1		Red			57E-LR	
57EDFA-N5	120V 50/60 Hz 0.2A	Amber	3,000 Hours	92-ST	57E-LA	57E-DC
57EDFB-N5		Blue			57E-LB	
57EDFC-N5		Clear			57E-LC	
57EDFG-N5		Green			57E-LG	
57EDFR-N5		Red			57E-LR	
57EDFA-R5	240V 50/60 Hz 0.1A	Amber	3,000 Hours	92-ST	57E-LA	57E-DC
57EDFB-R5		Blue			57E-LB	
57EDFC-R5		Clear			57E-LC	
57EDFG-R5		Green			57E-LG	
57EDFR-R5		Red			57E-LR	

\*Calculated strobe tube life at operating power to 75% efficiency.